

# PROPELLER FANS TYPE FLP

**Flameproof fans** for use in hazardous areas

where flammable gas or vapour is present

ATEX II 2 G Ex db IIC T4 Zone 1



## SIZE RANGE

190mm to 380mm impeller diameter.

## PERFORMANCE

Ranging from 0.09 to 1.0 m<sup>3</sup>/s - full details are available on our fan selection software.

## IMPELLERS

All units are fitted with Breezax anti static blades as standard. Aluminium blades can be fitted if required.

## PLATES

Stainless steel or mild steel with non-sparking track. (Refer to our Sales Office for Motor Blade & Guard assemblies without plate).

## MOTORS

Comply with ATEX Directive 2014/34/EU and EN60079-0, EN60079-1, & EN61241-0. Enclosure IP65 or IP66, insulation Class F. Fitted with sealed for life ball bearings.

## GAS GROUPS

The standard range covers IIA, IIB & IIC gases.

## ELECTRICAL SUPPLY

110V - 120V 1 phase

220V - 240V 1 phase

380V - 460V 3 phase

50 or 60 Hz

## MOUNTING & AIRFLOW

All units are suitable for internal or external operation at any installed angle. Airflow direction is Plan A as standard; Plan B can be supplied if required.

## ANCILLARIES

Wire safety guards or louvre shutters (gravity type) available to match all sizes.

## OPERATING TEMPERATURES

From -20°C to +50°C as standard; fans for operation beyond these limits are also available.

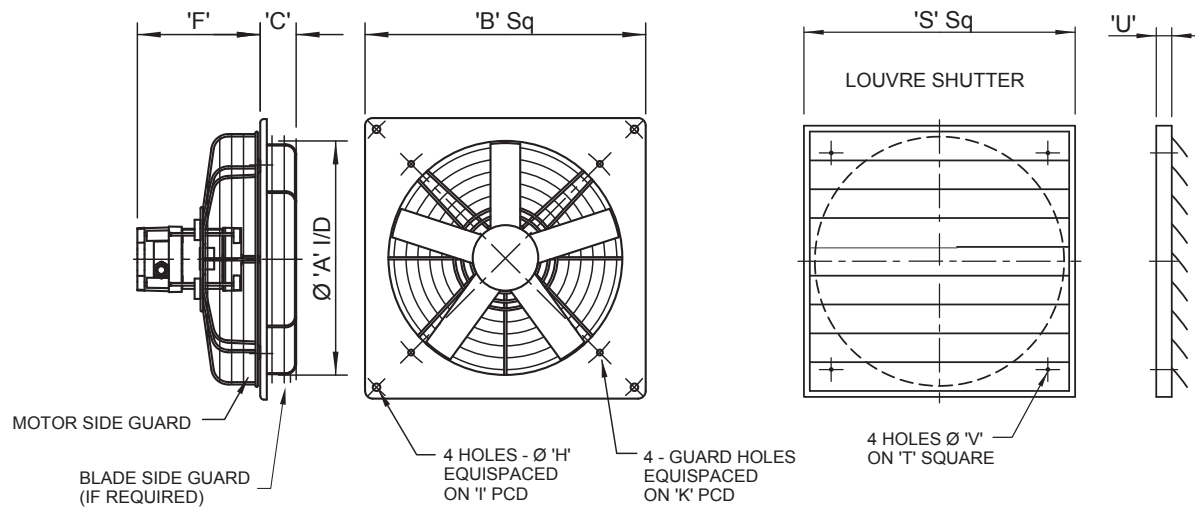
## PRODUCT RANGE

- Long Cased Axial
- Bifurcated Axial
- Plate or Short Cased Axial
- Axial Impellers
- Smoke Extract
- Boxed Centrifugal
- Propeller
- Flameproof (Hazardous Area)
- Roof Mounted
- Portable

We can also design and manufacture fans to suit non standard or special applications.

## Flameproof Propeller Fan - Type FLP Performance Data

| Fan Ref        | rpm  | 0 Pa                                           |      |      |      |      |      |             | dB(A)<br>@3m | 240/1/50    |            |             | 415/3/50    |            |      |
|----------------|------|------------------------------------------------|------|------|------|------|------|-------------|--------------|-------------|------------|-------------|-------------|------------|------|
|                |      | 12.5                                           | 25   | 37.5 | 50   | 62.5 | 75   | Motor<br>kW |              | FLC<br>Amps | SC<br>Amps | Motor<br>kW | FLC<br>Amps | SC<br>Amps |      |
|                |      | Airflow m <sup>3</sup> /s @ Static Pressure Pa |      |      |      |      |      |             |              |             |            |             |             |            |      |
| 7.5FLP 4 Pole  | 1400 | 0.12                                           | 0.01 |      |      |      |      |             | 40           | 0.04        | 0.50       | 1.21        | 0.04        | 0.25       | 0.6  |
| 7.5FLP 2 Pole  | 2800 | 0.20                                           | 0.19 | 0.18 | 0.17 | 0.15 | 0.11 | 0.01        | 54           | 0.15        | 1.10       | 3.29        | 0.15        | 0.80       | 2.84 |
| 9FLP 6 Pole    | 900  | 0.14                                           | 0.12 |      |      |      |      |             | 35           | 0.035       | 0.60       | 0.78        | 0.035       | 0.45       | 0.71 |
| 9FLP 4 Pole    | 1400 | 0.24                                           | 0.21 | 0.18 |      |      |      |             | 44           | 0.04        | 0.50       | 1.21        | 0.04        | 0.25       | 0.6  |
| 9FLP 2 Pole    | 2800 | 0.46                                           | 0.42 | 0.39 | 0.35 | 0.32 | 0.31 | 0.28        | 58           | 0.15        | 1.10       | 3.29        | 0.15        | 0.80       | 2.84 |
| 10.5FLP 6 Pole | 900  | 0.17                                           | 0.13 |      |      |      |      |             | 38           | 0.035       | 0.60       | 0.78        | 0.035       | 0.45       | 0.71 |
| 10.5FLP 4 Pole | 1400 | 0.36                                           | 0.34 | 0.24 |      |      |      |             | 48           | 0.04        | 0.50       | 1.21        | 0.04        | 0.25       | 0.6  |
| 10.5FLP 2 Pole | 2700 | 0.61                                           | 0.59 | 0.57 | 0.54 | 0.48 | 0.45 | 0.41        | 62           | 0.3         | 2.10       | 8.14        | 0.3         | 0.70       | 2.53 |
| 12FLP 6 Pole   | 900  | 0.36                                           | 0.30 | 0.25 |      |      |      |             | 42           | 0.035       | 0.60       | 0.78        | 0.035       | 0.45       | 0.71 |
| 12FLP 4 Pole   | 1400 | 0.54                                           | 0.50 | 0.47 | 0.39 | 0.34 |      |             | 52           | 0.04        | 0.50       | 1.21        | 0.04        | 0.25       | 0.6  |
| 15FLP 6 Pole   | 900  | 0.68                                           | 0.64 | 0.53 | 0.45 |      |      |             | 48           | 0.035       | 0.60       | 0.78        | 0.035       | 0.45       | 0.71 |
| 15FLP 4 Pole   | 1400 | 1.01                                           | 0.99 | 0.94 | 0.88 | 0.78 | 0.71 | 0.61        | 57           | 0.1         | 1.20       | 1.31        | 0.1         | 0.60       | 1.29 |



### Dimensions in mm

| Fan Size |     |     |     |    |     |    |     |     |    | Louvre Shutters |     |     |    |   |
|----------|-----|-----|-----|----|-----|----|-----|-----|----|-----------------|-----|-----|----|---|
| ins      | mm  | A   | B   | C  | F   | H  | I   | K   | kg | R               | S   | T   | U  | V |
| 7.5      | 190 | 203 | 260 | 42 | 235 | 8  | 323 | 239 | 6  | 210             | 244 | 184 | 22 | 5 |
| 9        | 229 | 241 | 330 | 47 | 235 | 10 | 414 | 280 | 7  | 260             | 294 | 227 | 22 | 5 |
| 10.5     | 267 | 279 | 355 | 47 | 235 | 10 | 450 | 315 | 7  | 310             | 344 | 276 | 26 | 5 |
| 12       | 315 | 323 | 394 | 62 | 235 | 12 | 503 | 372 | 8  | 310             | 344 | 276 | 26 | 5 |
| 15       | 381 | 392 | 470 | 62 | 235 | 12 | 611 | 447 | 9  | 420             | 457 | 365 | 26 | 5 |